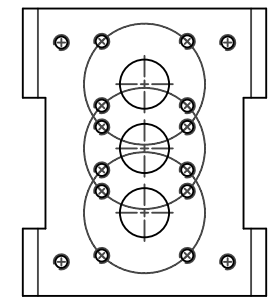
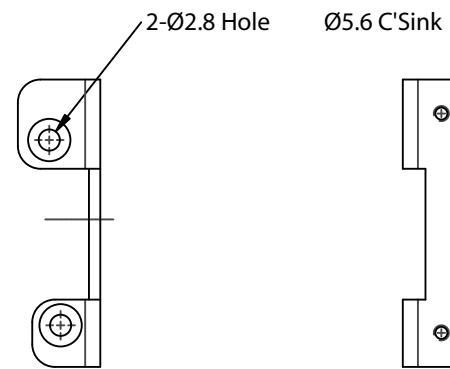
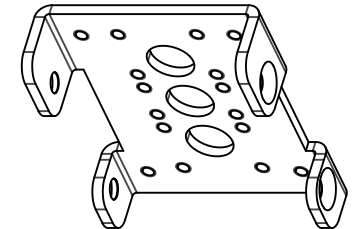
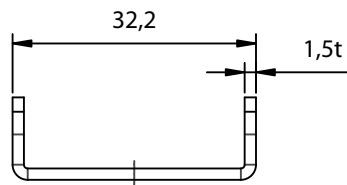
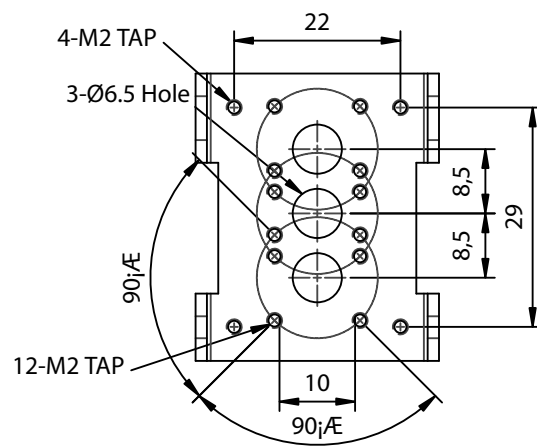


2-Ø2.8 Hole Ø5.6 C'Sink



[FOR REFERENCE ONLY]

Title	OF-116S	Scale	Unit	Sheet	ROBOTIS
Material	AL	Date	1/1	mm	
		09/27/2006			A4