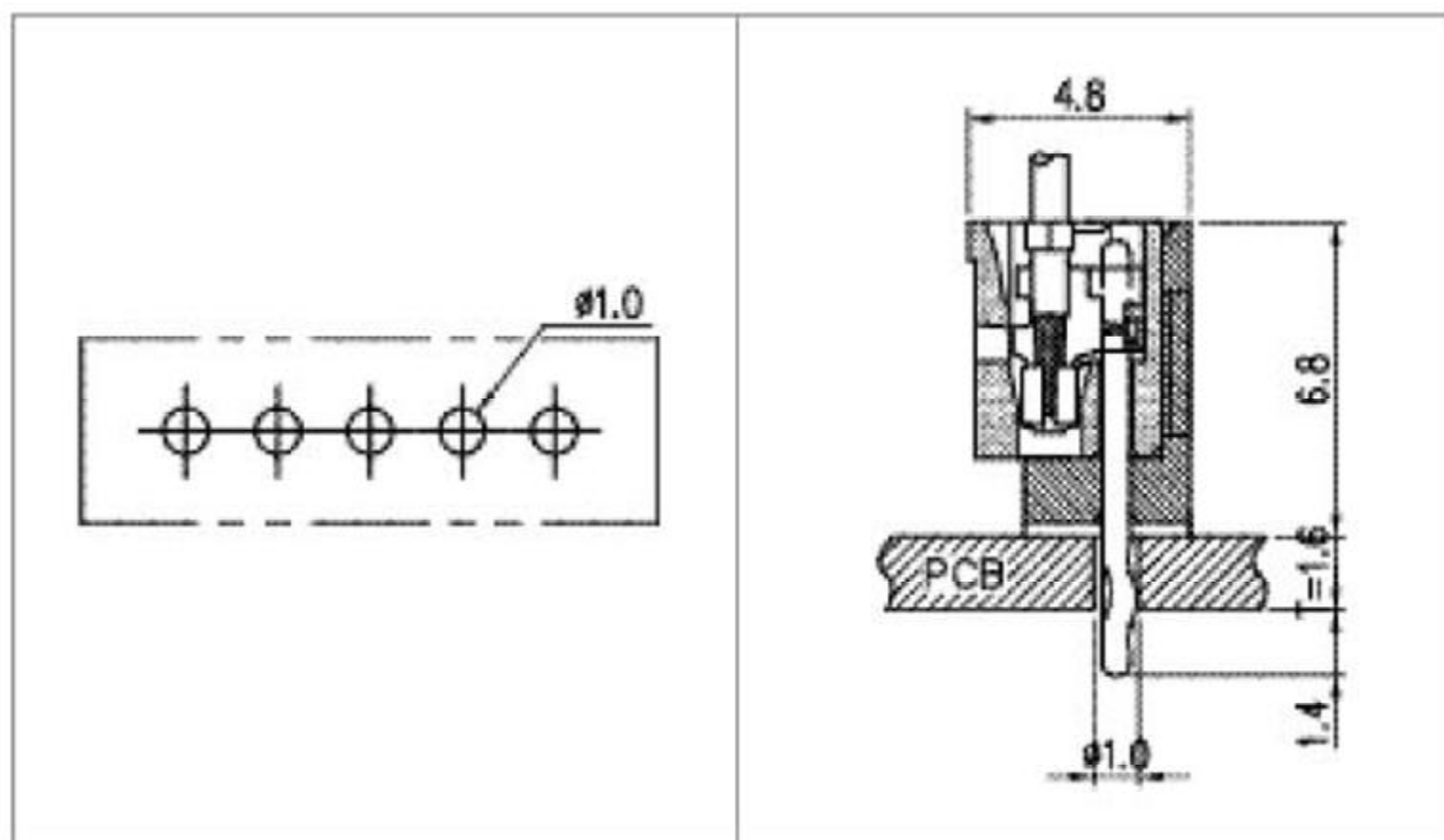
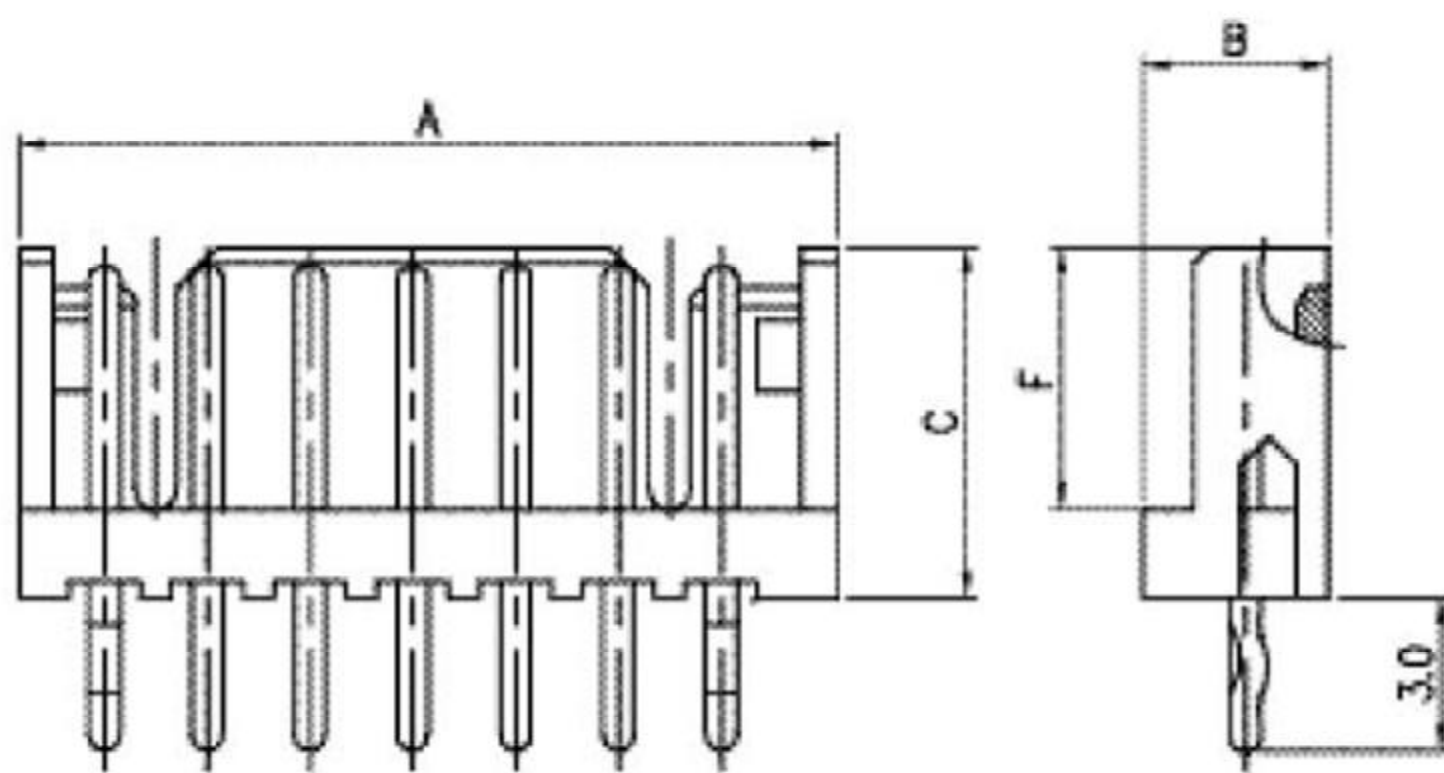
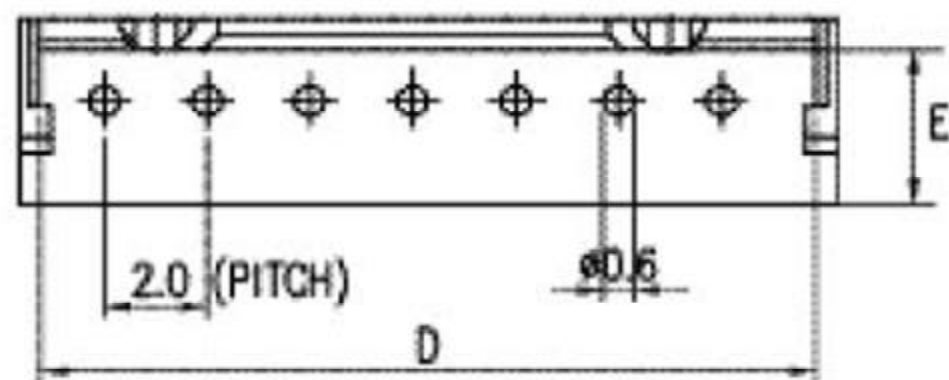
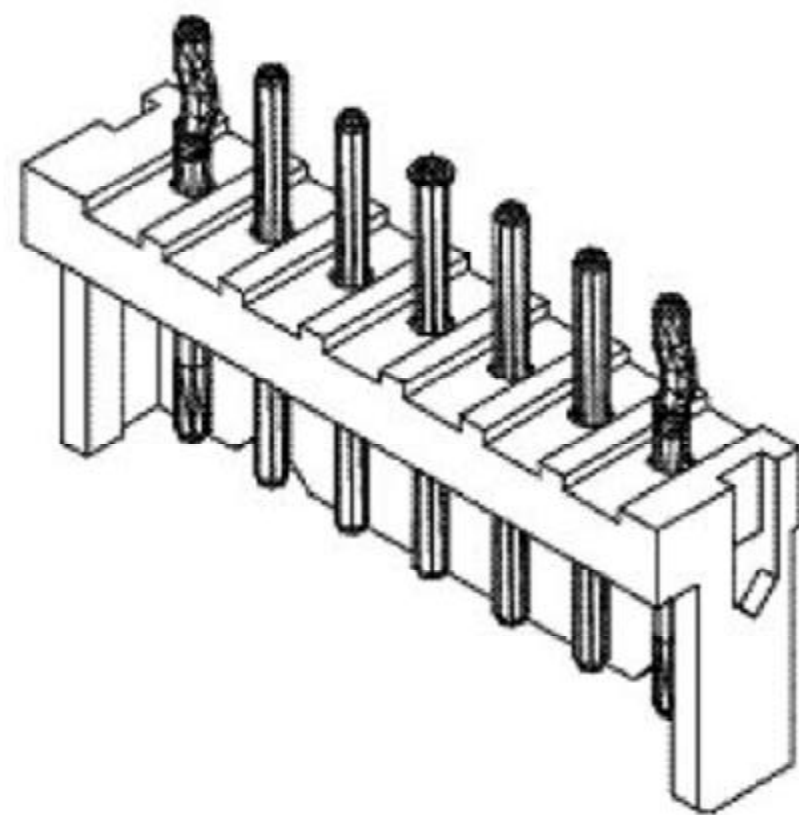


# 2.00mm (0.79) PITCH CONNECTOR

Wire-to-Board  
Wafer

YW200 Series

Straight



PCB LAYOUT

PCB ASS'Y

### Material

| 1/No | DESCRIPTION | TITLE | MATERIAL               |
|------|-------------|-------|------------------------|
| 1    | WAFER       | YW200 | Nylon66, UL 94-V Grade |
| 2    | PIN         |       | Brass & Sn-Pb Plated   |

### Available Pin

| PARTS NO. | DIM.A | DIM.B | DIM.C | DIM.D | DIM.E | DIM.F |
|-----------|-------|-------|-------|-------|-------|-------|
| YW200-02  | 5.9   | 3.6   | 6.8   | 5.1   | 3.0   | 5.1   |
| YW200-03  | 7.9   | 3.6   | 6.8   | 7.1   | 3.0   | 5.1   |
| YW200-04  | 9.9   | 3.6   | 6.8   | 9.1   | 3.0   | 5.1   |
| YW200-05  | 11.9  | 3.6   | 6.8   | 11.1  | 3.0   | 5.1   |
| YW200-06  | 13.9  | 3.6   | 6.8   | 13.1  | 3.0   | 5.1   |
| YW200-07  | 15.9  | 3.6   | 6.8   | 15.1  | 3.0   | 5.1   |
| YW200-08  | 17.9  | 3.6   | 6.8   | 17.1  | 3.0   | 5.1   |
| YW200-09  | 19.9  | 3.6   | 6.8   | 19.1  | 3.0   | 5.1   |
| YW200-10  | 21.9  | 3.6   | 6.8   | 21.1  | 3.0   | 5.1   |
| YW200-11  | 23.9  | 3.6   | 6.8   | 23.1  | 3.0   | 5.1   |
| YW200-12  | 25.9  | 3.6   | 6.8   | 25.1  | 3.0   | 5.1   |
| YW200-13  | 27.9  | 3.6   | 6.8   | 27.1  | 3.0   | 5.1   |
| YW200-14  | 29.9  | 3.6   | 6.8   | 29.1  | 3.0   | 5.1   |
| YW200-15  | 31.9  | 3.6   | 6.8   | 31.1  | 3.0   | 5.1   |

### Specification

| 항 목                              | SPEC         |
|----------------------------------|--------------|
| 정격전압 (Operating Voltage)         | AC / DC 100V |
| 정격전류 (Current Rating)            | AC / DC 1A   |
| 사용온도 (Operating Temperature)     | -55℃ ~ +85℃  |
| 접촉저항 (Contact Resistance)        | 30mΩ MAX     |
| 내 전 압 (Withstanding Voltage)     | AC250V / min |
| 절연저항 (Insulation Resistance)     | 100Ω MIN     |
| 사용기판 (Applicable PCB)            | 1.2 ~ 1.6mm  |
| 사용FILM (Applicable Film/FFC/FPC) | -            |
| UL FILE NO                       | E108706      |